

Interactive Catalog Supplements Catalog PDFs

If you need detailed product information, or help choosing the right product for your application, see our **Interactive Catalog**. Use the **Interactive Catalog** to access the most complete and up-to-date information available.

The **Interactive Catalog** provides an extensive collection of product specifications, application data, and technical literature that can be searched based on criteria you select.

This PDF catalog information was published in November 2000.



Sensing and Control
**Interactive
Catalog...**

**Click this icon to try
the Interactive Catalog.**

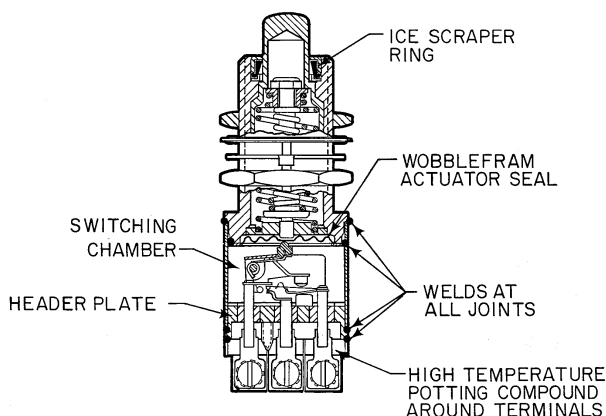
Sensing and Control
Honeywell Inc.
11 West Spring Street
Freeport, IL 61032



Position Sensors

HR Series

High Temperature Hermetically Sealed Switches



FEATURES

- Enclosure seal: Sealed per MIL-S-8805, enclosure design Symbol 5*
- Terminal strength: 15 lbs. (66,7N)
- Strength of actuating means: 35 lbs. (156N)
- Strength of mounting bushing: 15 in. lbs. (1,7Nm)
- Vibration: 10 to 58 Hz at .060 in. (1,52mm) D.A. 58 to 500 Hz at 20 gs
- Shock: 100 gs, .006 sec. sawtooth pulse
- Also meets moisture resistance, explosion, and salt spray requirements.
- Temperature range: -85°F to +600°F (-65°C to +315°C)
- Modifications: Receptacle termination is available. Temperature rating may be lowered because of receptacle limitations or customer-specified leadwire.

* Watertight test not applicable per MIL-S-8805.

GENERAL INFORMATION

HR switches combine maximum sealing, high (600°F, 315°C) temperature capabilities, and rugged, heavy duty, corrosion-resistant construction to provide reliable switching in the most demanding applications.

MOUNTING

Plunger actuator switches bushing mount through 3/4 inch (19,1mm) diameter holes. Lock washer, keying washer, and wire lock hexagon mounting nuts lock the switches in their mounting.

Rotary actuator switches mount through 1 1/2 inch (11,9mm) diameter holes. A lock washer, wire lock hexagon nut, and locating pins on the top of the housing prevent switch rotation.

ACTUATORS

Plunger

For in-line actuation. An ice scraper ring clears the actuator with each operation. Material is stainless steel.

Roller plunger

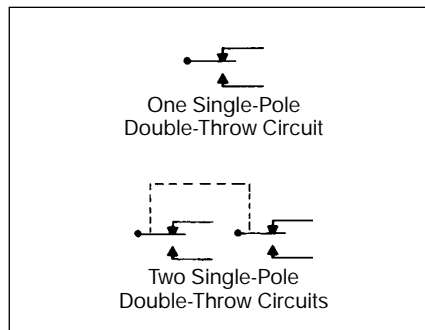
For cam and slide actuation not to exceed 20° rise. Roller adjusts laterally in 45° increments. An ice scraper ring clears the actuator with each operation. Material is stainless steel.

ELECTRICAL RATING

MS24594-1 ratings apply when MIL-S-8805/41 is invoked.

Voltage	Amperage	
	Ind.	Res.
28 DC	2	5

CIRCUITRY



Position Sensors



Position Sensors

HR Series

High Temperature Hermetically Sealed Switches

Characteristics: O.F. – Operating Force; R.F. – Release Force;
P.T. – Pretravel; O.T. – Overtravel; D.T. – Differential Travel.

HR ORDER GUIDE

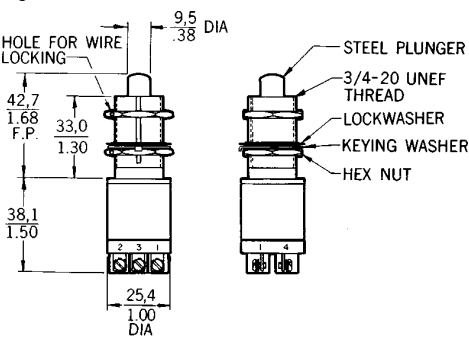
	Catalog Listing	Actuator	Circuitry	Terminals ¹	Characteristics					Weight g oz.
					O.F. Newtons lbs.	R.F. min. Newtons lbs.	P.T. max. mm inches	O.T. min. mm inches	D.T. max. mm inches	
	12HR1-S ² (MS24594-1)	Plunger	(2)SPDT	Screw	26,7-53,4 6-12	22,2 5	1,27 .050	6,35 .250	0,38 .015	127 4.5
	12HR8-6	Plunger	SPDT	Leadwire	26,7-53,4 6-12	22,2 5	1,27 .050	6,35 .250	0,38 .015	284 10
	22HR1-S	Roller Plunger	(2)SPDT	Screw	26,7-53,4 6-12	22,2 5	1,27 .050	6,35 .250	0,38 .015	142 5

Notes:
¹ Screw terminals are 4-48 NF x .188 inch screw with sems washers. Leadwire terminals are 6 foot (1,8mm).
² Meets MIL-S-8805/41 specification.

MOUNTING DIMENSIONS (For reference only)

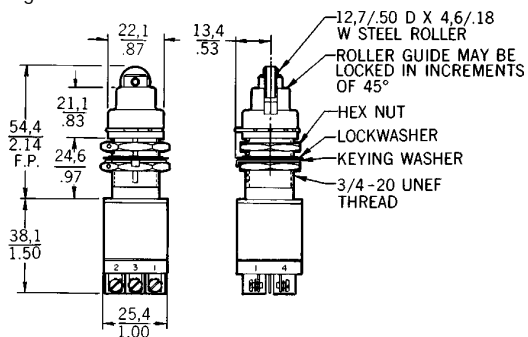
12HR1-S

Fig. 1



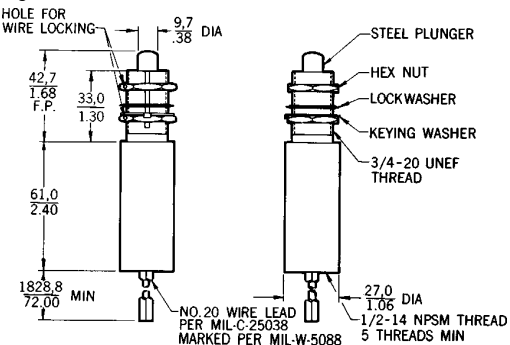
22HR1-2

Fig. 2



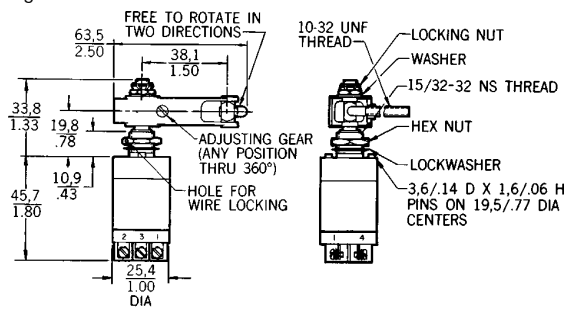
12HR8-6

Fig. 3



41HR1-S

Fig. 4



Key: 0,0 = mm
0.00 = inches