

## Interactive Catalog Supplements Catalog PDFs

If you need detailed product information, or help choosing the right product for your application, see our **Interactive Catalog**. Use the **Interactive Catalog** to access the most complete and up-to-date information available.

The **Interactive Catalog** provides an extensive collection of product specifications, application data, and technical literature that can be searched based on criteria you select.

This PDF catalog information was published in November 2000.



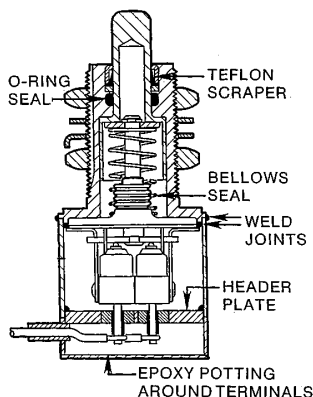
Sensing and Control  
**Interactive  
Catalog...**

**Click this icon to try  
the Interactive Catalog.**

**Sensing and Control**  
Honeywell Inc.  
11 West Spring Street  
Freeport, IL 61032



Hermetically Sealed Limit Switch



**GENERAL INFORMATION**

True hermetic sealing with metal-to-metal, glass-to-metal construction assures maximum seal effectiveness for exceptionally long periods of time despite continuous changes in atmospheric pressures and temperatures.

1HE1-6 is directly interchangeable with the 1EN1-6 (MS24331-1) environment-proof switches, and has the same operating characteristics, physical dimensions, and electrical capacity. This switch features corrosion resistance, small size, one hole wire-lock mounting, and MIL-W-22759/7 leadwire.

Most EN type actuators can be provided on HE switches. Contact MICRO SWITCH for more information.

**FEATURES**

- Sealing: Hermetic sealing per MIL-S-8805, hermetic symbol 5
- 1HE1-6 qualified to military specification: MIL-S-8805/80
- Vibration: 10 to 81 Hz at .060 in. (1,52mm) D.A. 81 to 2000 Hz at 20 gs
- Shock: 200 g, .007 second, half sine pulse
- Strength of actuating means: 250 lbs. (1112N)
- Strength of mounting means: 400 in. lbs. (45,2 Nm) - 1HE1-6, 200 in. lbs. -602/622 HE
- Also meets sand and dust, explosion, icing, minimum current, and moisture resistance requirements
- Temperature range: -67°F to +257°F (-55°C to +125°C)
- Weight: 7.3 oz. (207 g) max 1HE1-6, 6.5 oz. (184g) max. 602HE1-6 (including 6 ft. (1,8m) leadwires)
- Circuitry: Two or four single-pole, double-throw circuits
- Meets or exceeds mechanical and electrical life as defined in MIL-S-8805
- Modifications: Other leadwire types and lengths are available. Receptacle termination is also possible

**ELECTRICAL RATINGS amps at sea level and 100,000 feet (amps)**

28 VDC	1HE1-6	602/622HE1-6 604/624HE1-6
Resistive	5	7
Inductive	3	4
Motor	4	4

Gold contacts can be provided with ½ amp inductive and 1 amp resistive at 28 VDC electrical rating.

Position Sensors

# Position Sensors


## Hermetically Sealed Limit Switch

HE Series



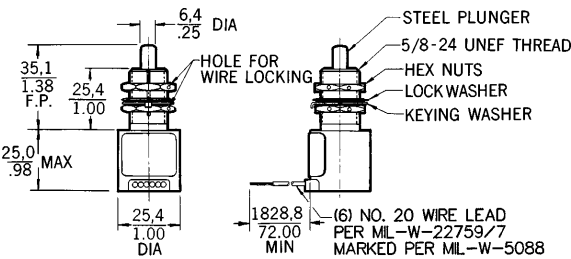
**Characteristics:** O.F. – Operating Force; R.F. – Release Force;  
P.T. – Pretravel; O.T. – Overtravel; D.T. – Differential Travel.

### HE ORDER GUIDE

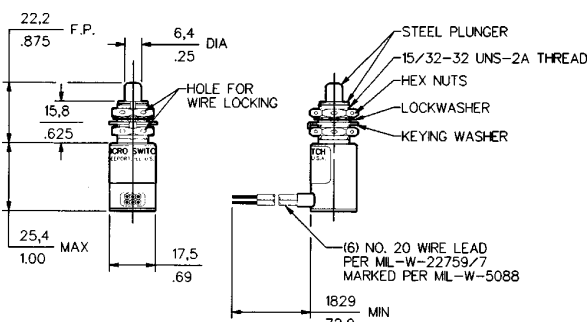
Circuitry	Catalog Listing	Actuator	Characteristics				
			O.F. Newtons lbs.	R.F. min. Newtons lbs.	P.T. max. mm in.	O.T. min. mm in.	D.T. max. mm in.
 Two Single-Pole Double-Throw Circuits	1HE1-6 (MS8805/80-01)	Plunger	26,7-53,4 6-12	17,8 4	1,02 .040	6,35 .250	0,51 .020
	602HE1-6	Plunger	22,2-53,4 5-12	13,3 3	1,02 .040	3,18 .125	0,51 .020
	622HE1-6	Roller Plunger	22,2-53,4 5-12	13,3 3	1,02 .040	3,18 .125	0,51 .020
Four Single-Pole Double-Throw Circuits	604HE1-6	Plunger	26,7-53,4 6-12	17,8 4	1,02 .040	3,18 .125	0,51 .020
	624HE1-6	Roller Plunger	22,2-53,4 5-12	13,3 3	1,02 .040	3,18 .125	0,51 .020

### HE MOUNTING DIMENSIONS (For reference only)

#### 1HE1-6

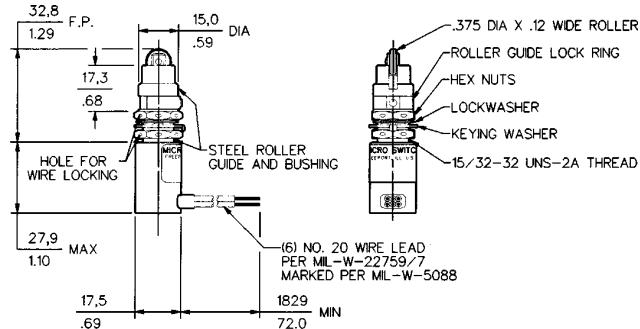


#### 602HE1-6



604HE1-6 has same dimensions as 602HE1-6, except housing dia. is 1.0/25,4; and housing height is 1.2/30,5.

#### 622HE1-6



624HE1-6 has same dimensions as 622HE1-6, except housing dia. is 1.0/25,4; and housing height is 1.2/30,5.

Key:  $\frac{0,0}{0.00} = \text{mm}$   
 $\frac{0,00}{0.00} = \text{inches}$