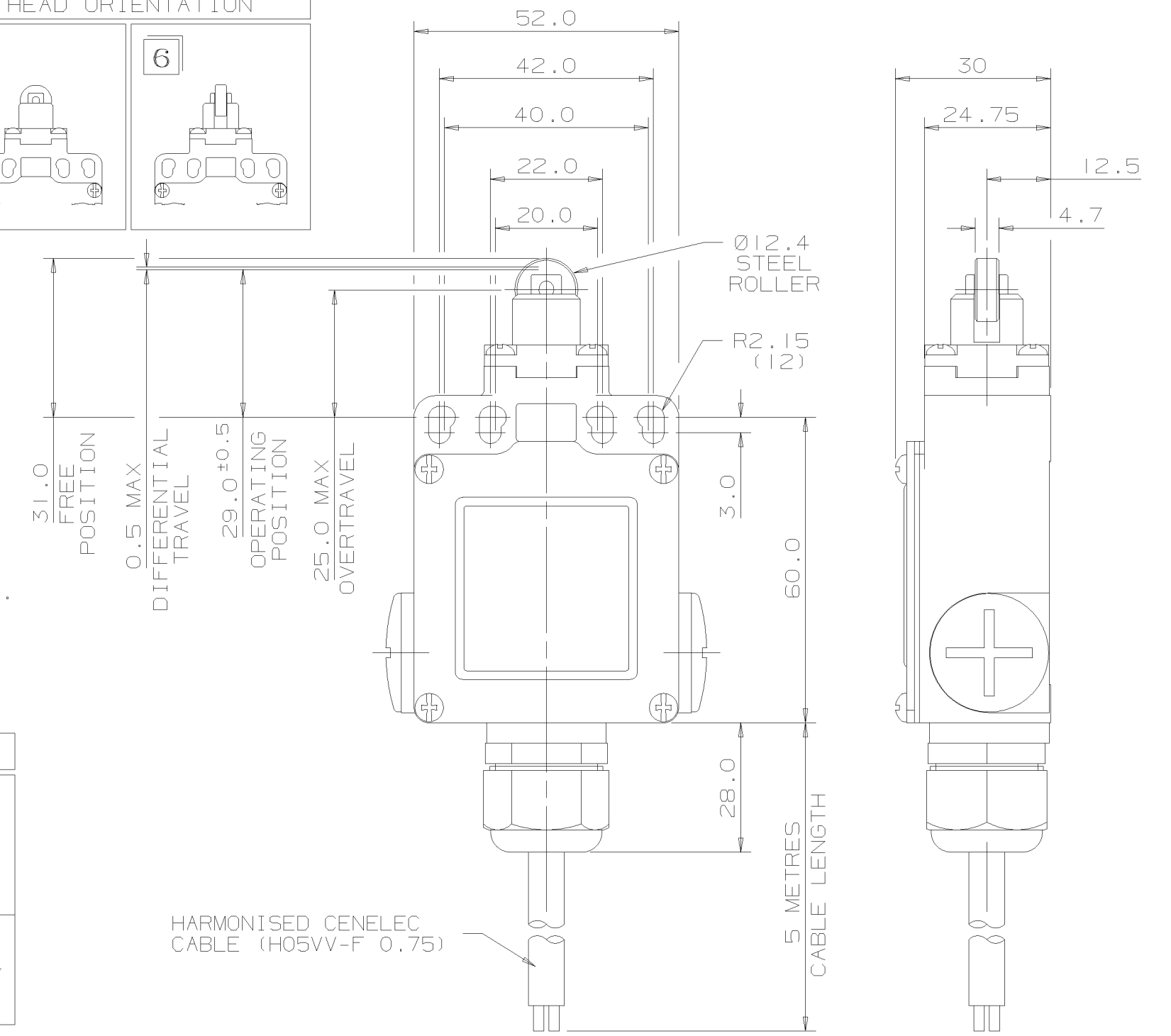
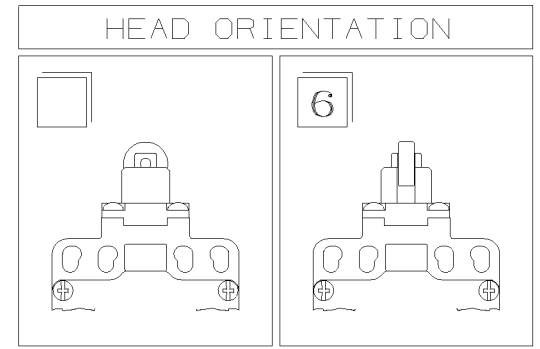
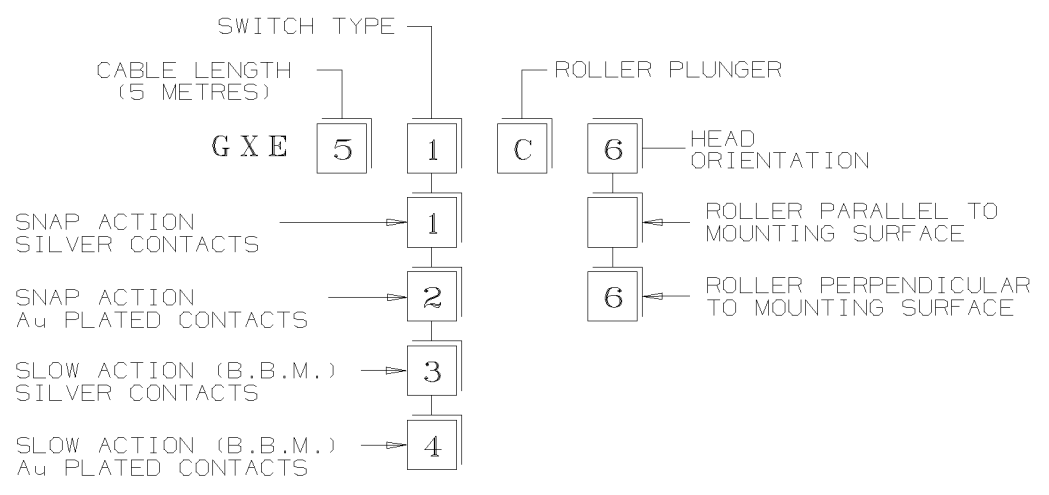


DO NOT SCALE PRINT  
A3 FORMAT  
MTG-GX-307  
REPLACES  
CHART NUMBER  
3  
ISSUE  
RELEASE No. PR\*788  
REVISIONS  
3 CO\*1792  
IW 01/01  
8/00  
I. WEIR  
DRAWN  
CHECK  
DESIGN  
AUTHOR \*N

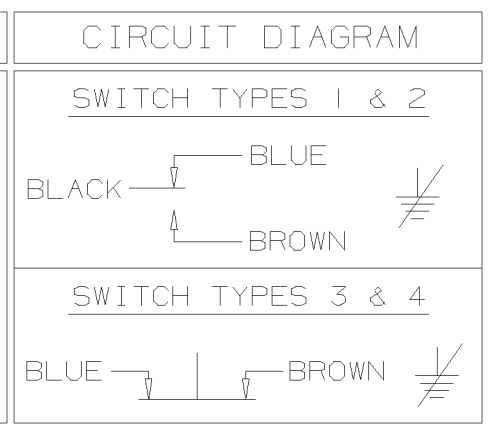
Honeywell  
**LIMIT SWITCH**  
CHART NUMBER  
**MTG-GX-307**

\* KEMA APPROVED PART \*  
NO CHANGE TO DRAWING  
WITHOUT THE JOINT AGREEMENT OF  
APPROVALS/DESIGN/MARKETING

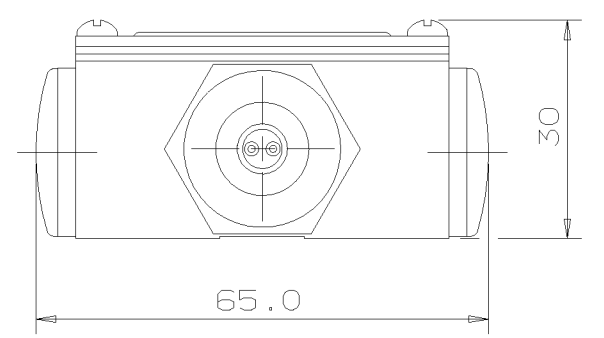


- NOTES :-
1. BLUE EPOXY PAINT FINISHED ZINC DIE-CAST BODY AND STEEL COVER. BLACK EPOXY PAINT FINISHED ZINC DIE-CAST HEAD.
  2. APPROVED BY KEMA TO II 2 G EExd IIC T6.
  3. KEMA CERTIFICATION REFERENCE:- KEMA 00 ATEX 2103 X.
  4. MOUNTING TO EN50047.
  5. STANDARD LISTINGS CAN HAVE SUFFIX 'RS' OR 'FE'.

ENVIRONMENTAL
IP66/67
TEMP RANGE : -20°C TO 75°C OPERATING AND STORAGE -4°F TO 167°F
SHOCK : 50G PER IEC 68-2-27 VIBRATION : 10G PER IEC 68-2-6



ELECTRICAL RATING		CHARACTERISTICS	APPROVALS
SILVER CONTACTS	GOLD CONTACTS	OPERATING FORCE $\frac{16 \text{ N}}{3.6 \text{ lbf}}$ MAX	CE 0527
AC-15 4A 250V		RELEASE FORCE $\frac{4.4 \text{ N}}{450 \text{ g}}$ MIN	Ex EN50014 EN50018
AC-15 2A 400V			
DC-13 0.15A 250V			



THE COPYRIGHT OF THIS DRAWING IS THE PROPERTY OF HONEYWELL LTD. THE DRAWING IS SUPPLIED IN CONFIDENCE AND MUST NOT BE USED FOR ANY PURPOSE OTHER THAN THAT FOR WHICH IT IS SUPPLIED.

THIRD ANGLE PROJECTION

SCALE 1/1

DIMENSIONS ARE IN MM

MODIFY ON CAD SYSTEM ONLY